

Hermetically Sealed Single-Ended Beam

FEATURES

- Capacities: 1k to 10k lbs and 500 to 5000 kg
- High side-load tolerance
- Easy installation
- Electroless nickel-plated-alloy tool steel or stainless steel
- NTEP III 5000M approval 1k to 10k lbs
- **Optional**
 - FM approval available
 - SQB-H(HSS) hermetically sealed stainless steel



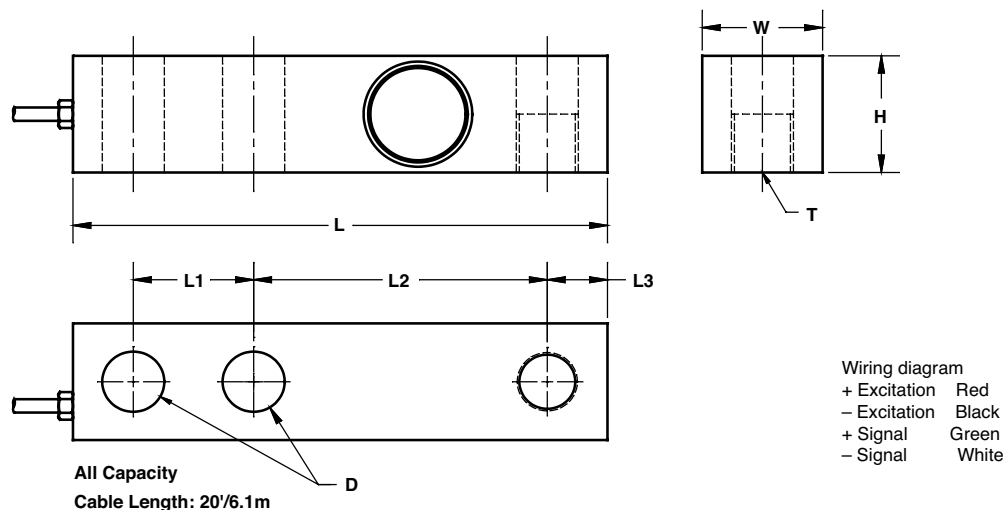
APPLICATIONS

- Truck/rail scales
- Silo/hopper/tank weighing
- Platform scales (multiple load cells)
- Pallet truck scales
- Packaging machines

DESCRIPTION

SQB-H(HSS) is a single-ended shear beam load cell designed for multiple cell applications such as low profile platform or small tank scales when used with proper mounting accessories. It is insensitive to side loading and capable of reversed loading. SQB-H(HSS) is constructed of stainless steel and is hermetically sealed to IP68 providing excellent protection against corrosive and washdown environments.

OUTLINE DIMENSIONS



CAPACITY		L	L1	L2	L3	W	H	D	T
500, 1000, 2000 kg	mm	130.2	25.4	76.2	12.7	31.2	31.2	13.5	M12 x 1.75
1k/2k/2.5k/3k/4k/5k(SE) lbs	(inch)	5.12	1.00	3.00	0.50	1.22	1.22	0.53	1/2-20UNF
1500 kg	mm	130.2	25.4	88.9	12.7	31.2	31.2	13.5	M12 x 1.75
5000 kg	mm	171.5	38.1	95.3	19.0	38.1	38.1	19.8	M20 x 1.5
5k/10k lbs	(inch)	6.75	1.50	3.75	0.75	1.50	1.50	0.78	3/4-16UNF

Hermetically Sealed Single-Ended Beam

SPECIFICATIONS			
PARAMETER	VALUE		UNIT
NTEP/OIML accuracy class	NTEP III	Non-Approved	
Maximum no. of intervals (n)	3000 single 5000 multiple	1000	
$Y = E_{max}/V_{min}$	10000	5000	Maximum available
Standard capacities (E_{max})	1k, 2k, 2.5k, 3k, 4k, 5kSE, 5k, 10k		lbs
Standard capacities (E_{max})	500, 1000, 1500, 2000, 5000		kg
Rated output—R.O.	3.0		mV/V
Rated output tolerance	0.25		±% of rated output
Zero balance	1		±% of rated output
Non-linearity	0.025	0.030 (SS: 0.05)	±% of rated output
Hysteresis	0.025	0.030 (SS: 0.05)	±% of rated output
Non-repeatability	0.020	0.020	±% of rated output
Creep error (20 minutes)	0.025	0.030	±% of rated output
Zero return (20 minutes)	0.025	0.030	±% of rated output
Temperature effect on min. dead load output	0.0017	0.0026	±% of rated output/°C
Temperature effect on sensitivity	0.0010	0.0015	±% of rated output/°C
Compensated temperature range	-10 to +40		°C
Operating temperature range	-20 to +60		°C
Safe overload	150		% of R.C.
Ultimate overload	300		% of R.C.
Excitation, recommended	10		VDC or VAC RMS
Excitation, maximum	15		VDC or VAC RMS
Input impedance	385±5		Ω
Output impedance	350±3		Ω
Insulation resistance	>5000		MΩ
Construction	Nickel-plated alloy steel ⁽¹⁾		
Environmental protection	IP68		

Notes

⁽¹⁾ Stainless steel available

All specifications subject to change without notice.

FM Approval

Intrinsically Safe: Class I, II, III; Div. 1 Groups A-G

Non-Incendive: Class I; Div. 2 Groups A-D